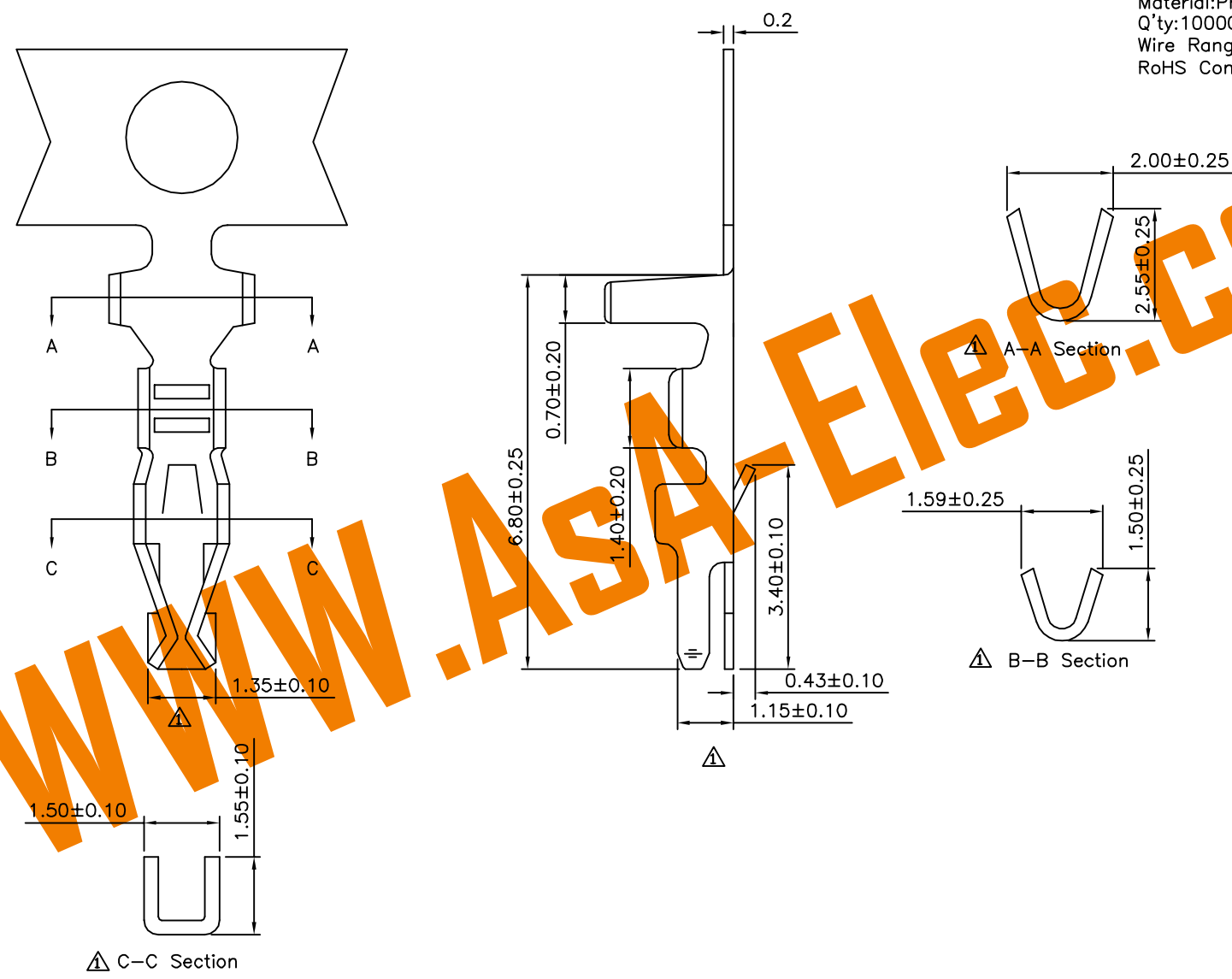


**△ SPECIFICATION**  
 Material: Phosphor Bronze, Tin Plated  
 Q'ty: 10000 PCS/Reel  
 Wire Range: #22~#28 AWG  
 RoHS Compliant



**ASA** **Electronic** **Co.**  
 WWW.ASA-Elec.com  
 Tel : (+98) 21 66 73 56 82 Mob : (+98) 912 03 161 02

DRAWING No.		APPROVED BY		UNLESS OTHERWISE SPECIFIED TOLERANCES ARE .X ±0.25 △ .XX ±0.15 △ ANG.
09762		EMILY		
		CHECKED BY		
		HZF		UNIT mm
		DRAWING BY		
		YBL		NO. REV.
SCALE	NONE	REV.	A1	

NO.	REV.	REVISIONS	CHK	DATE
△ A1		Modify Data	HZF	09/25/2013
△ A0		NEW RELEASE		